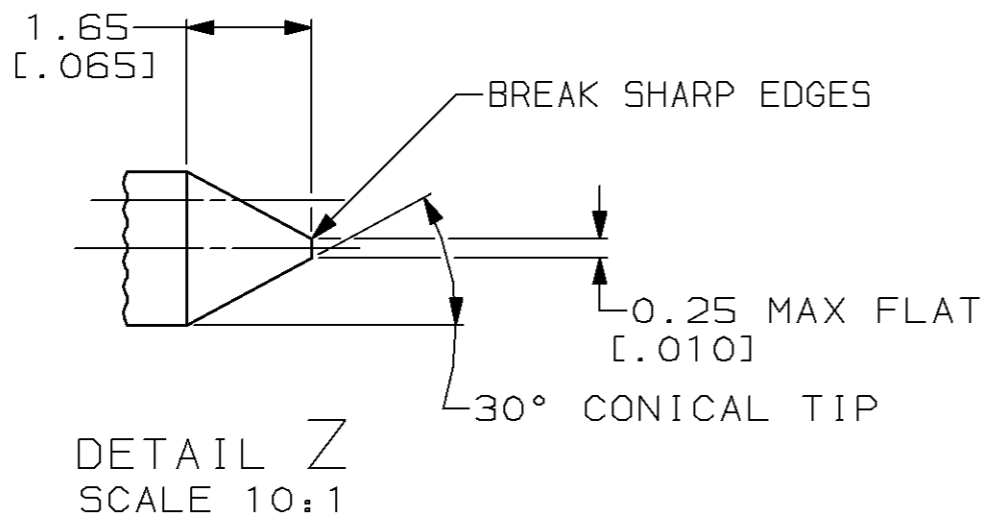
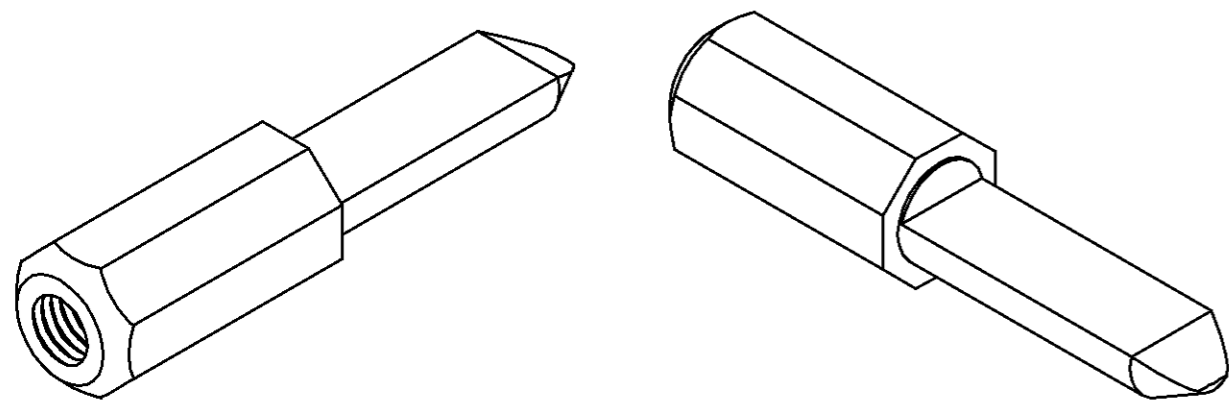
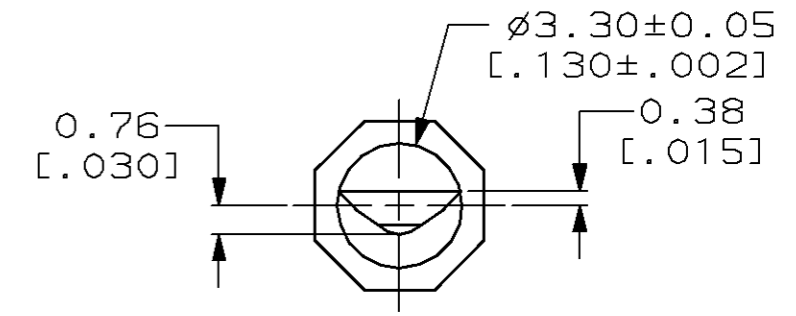
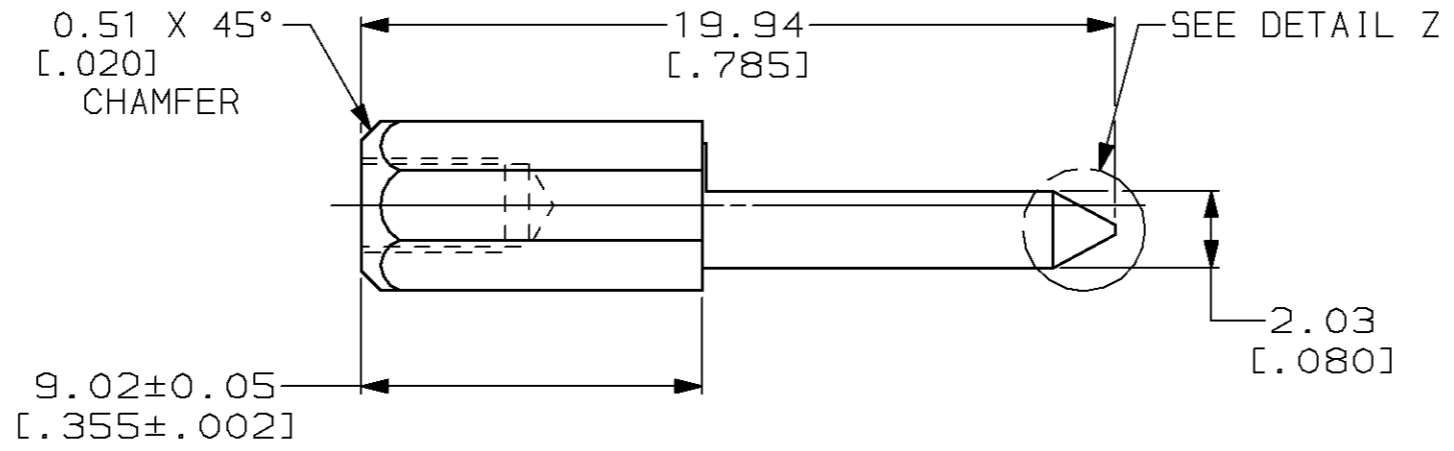
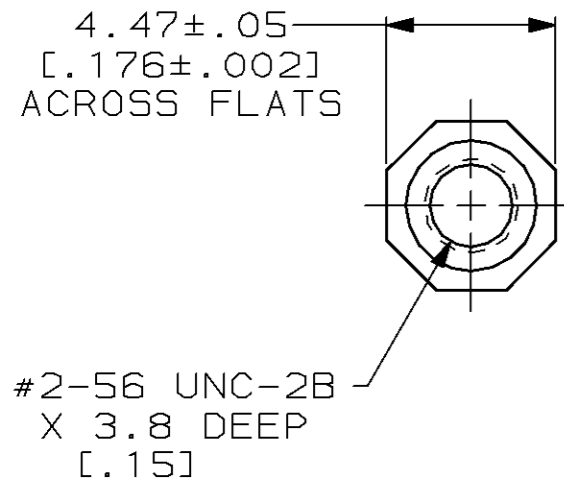


THIS DRAWING IS UNPUBLISHED. RELEASED FOR PUBLICATION, 19 .  
 © COPYRIGHT 19 BY AMP INCORPORATED. ALL RIGHTS RESERVED.

LOC	DIST	REVISIONS			
P	LTR	DESCRIPTION	DATE	DWN	APVD
AD	25	D	REDRAWN & REVISED PER 0410-0144-96	11-19-96	TS WM



- 1 MATERIAL: STAINLESS STEEL.
- 2 FINISH: PASSIVATED



535839-2  
PART NUMBER

THIS DRAWING IS A CONTROLLED DOCUMENT.		DWN T. SHUEY 11-19-96	<b>AMP</b> AMP Incorporated Harrisburg, PA 17105-3608
		CHK W. MILLHIMES 11-20-96	
DIMENSIONS: mm [INCHES]	TOLERANCES UNLESS OTHERWISE SPECIFIED:	APVD W. MILLHIMES 11-20-96	NAME
	0 PLC ± — 1 PLC ± — 2 PLC ± 3.8 [0.02] 3 PLC ± 0.13 [0.005] 4 PLC ± — ANGLES ± —	PRODUCT SPEC	POLARIZING PIN, TBC PLUS
MATERIAL	FINISH	APPLICATION SPEC	SIZE
1	2	WEIGHT	A3
CUSTOMER DRAWING		CAGE CODE	00779
		DRAWING NO	C-535839
		SCALE	5:1
		SHEET	1 OF 1
		REV	D